

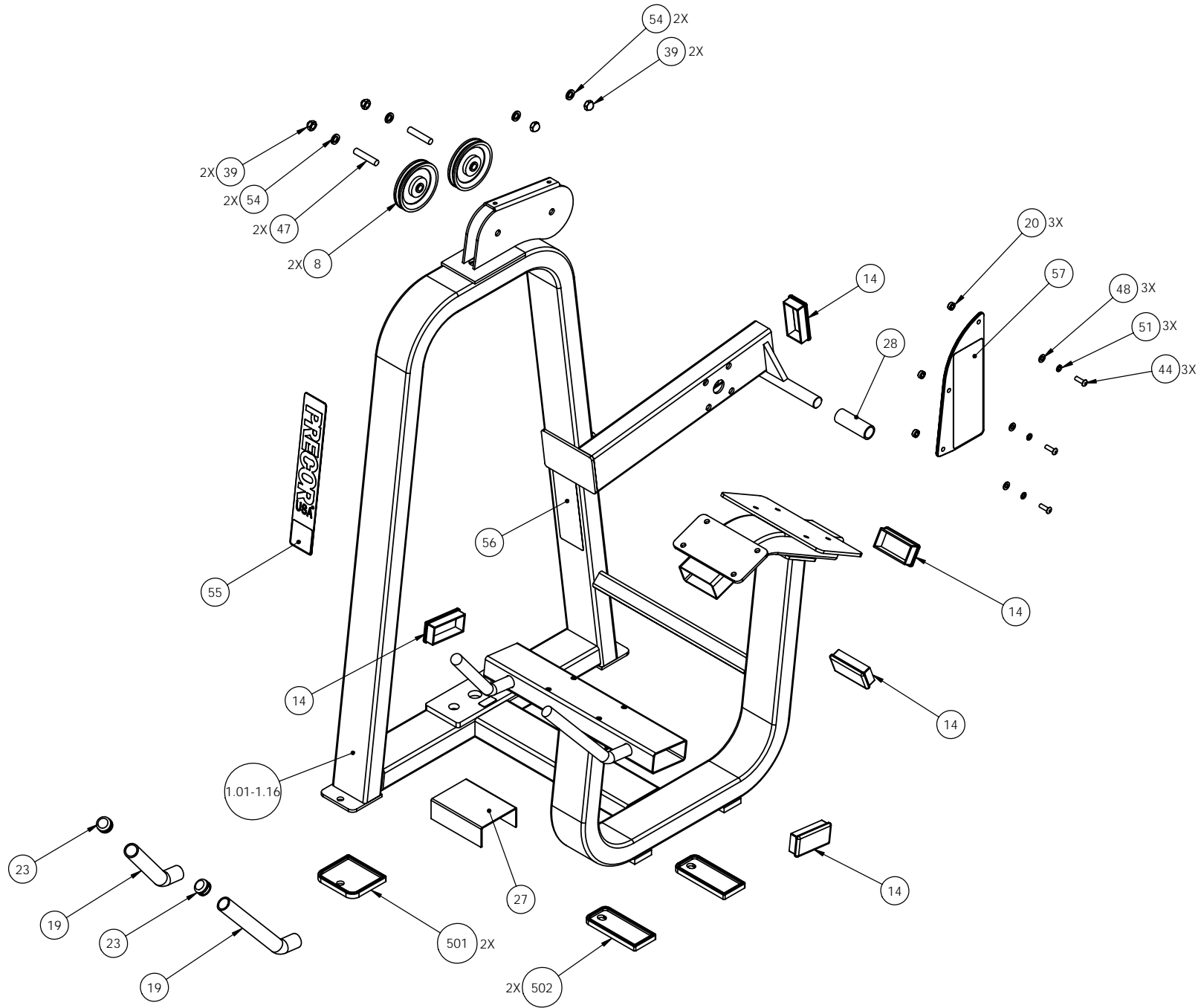
WEIGHTS/GUIDE RODS,
SHEET 4

PIVOT ARMS/CAM,
SHEET 3

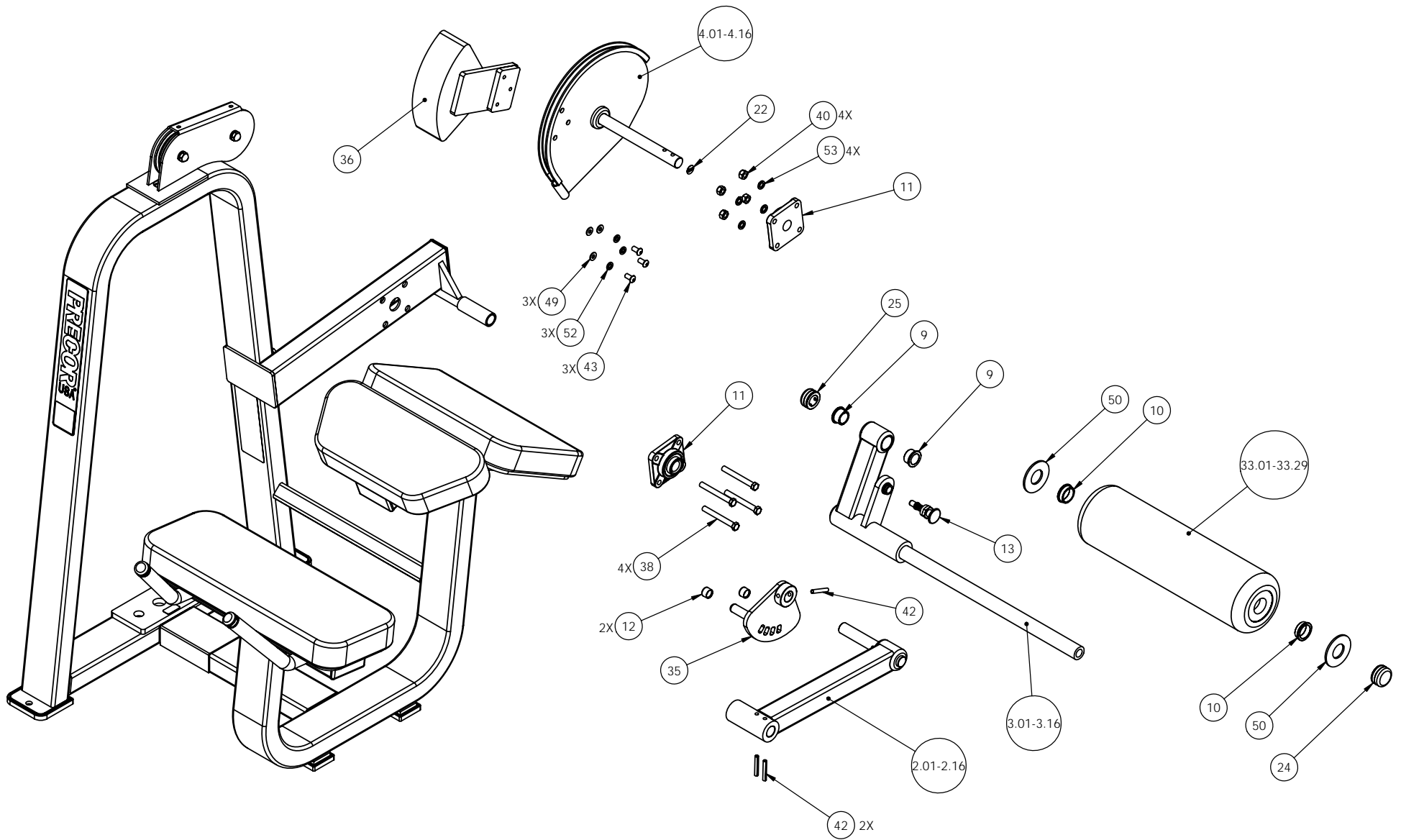
PADS/HARDWARE,
SHEET 4

FRAME/COMPONENTS,
SHEET 2

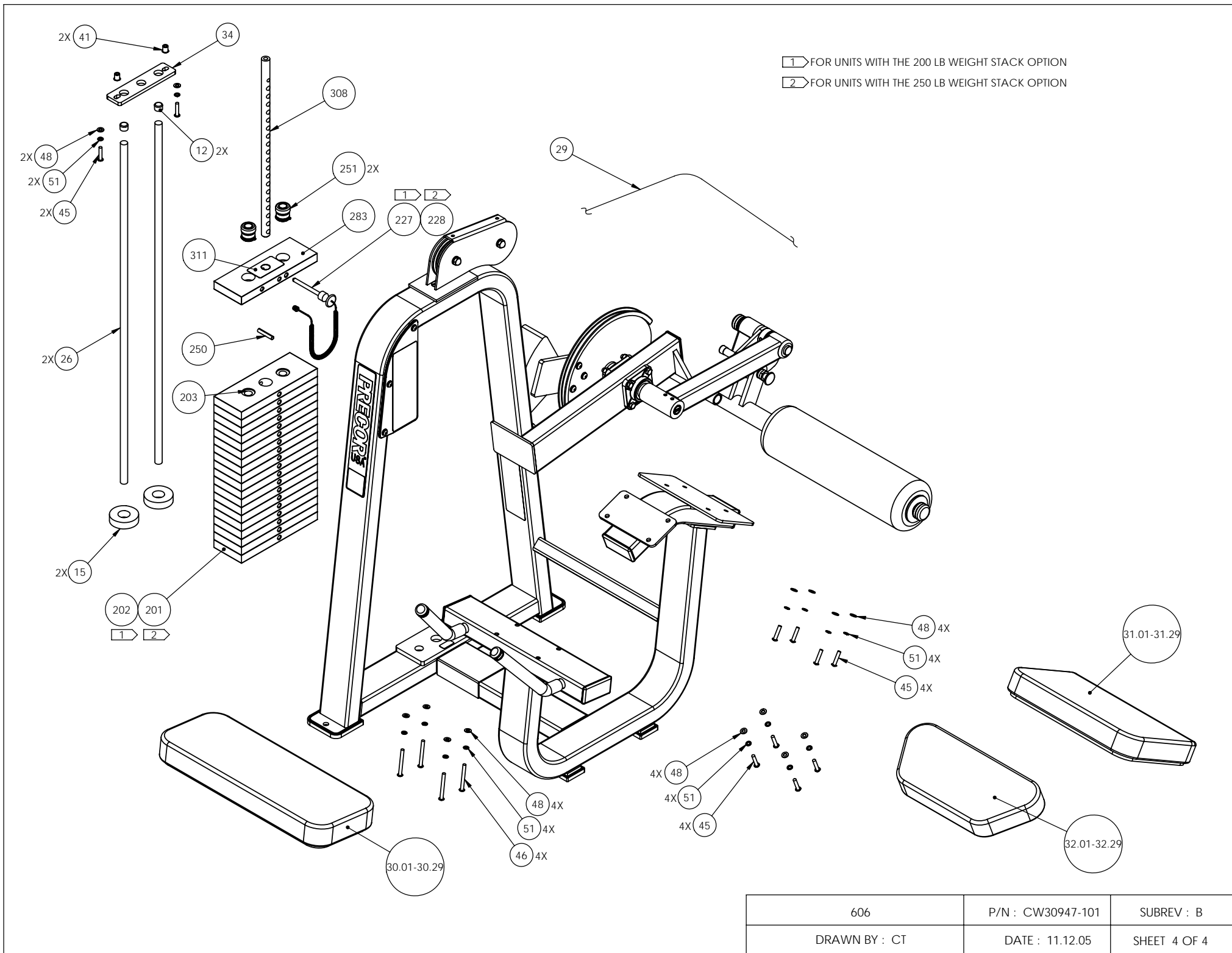
| | | |
|---------------|-------------------|--------------|
| 606 | P/N : CW30947-101 | SUBREV : B |
| DRAWN BY : CT | DATE : 11.12.05 | SHEET 1 OF 4 |



| | | |
|---------------|-------------------|--------------|
| 606 | P/N : CW30947-101 | SUBREV : B |
| DRAWN BY : CT | DATE : 11.12.05 | SHEET 2 OF 4 |



| | | |
|---------------|-------------------|--------------|
| 606 | P/N : CW30947-101 | SUBREV : B |
| DRAWN BY : CT | DATE : 11.12.05 | SHEET 3 OF 4 |



| | | |
|---------------|-------------------|--------------|
| 606 | P/N : CW30947-101 | SUBREV : B |
| DRAWN BY : CT | DATE : 11.12.05 | SHEET 4 OF 4 |

606 Prone Leg Curl

| Part Number | Description | Bubble Number |
|--------------------|-------------------------------------|----------------------|
| CW606SA1-211 | ASSY,FRAME,MAIN,606,SKY WHITE | 1.01 |
| CW606SA1-221 | ASSY,FRAME,MAIN,606,BLACK | 1.02 |
| CW606SA1-231 | ASSY,FRAME,MAIN,606,RED | 1.03 |
| CW606SA1-241 | ASSY,FRAME,MAIN,606,PLAT SPRKLE | 1.04 |
| CW606SA1-251 | ASSY,FRAME,MAIN,606,SILVER | 1.05 |
| CW606SA1-261 | ASSY,FRAME,MAIN,606,BLUE | 1.06 |
| CW606SA1-271 | ASSY,FRAME,MAIN,606,CHARCOAL | 1.07 |
| CW606SA1-281 | ASSY,FRAME,MAIN,606,CATH GRAY | 1.08 |
| CW606SA1-291 | ASSY,FRAME,MAIN,606,SILVER VIEN | 1.09 |
| CW606SA1-311 | ASSY,FRAME,MAIN,606,STONE HG | 1.11 |
| CW606SA1-321 | ASSY,FRAME,MAIN,606,TITANIUM HG | 1.12 |
| CW606SA1-331 | ASSY,FRAME,MAIN,606,WHITE GLOSS | 1.13 |
| CW606SA1-341 | ASSY,FRAME,MAIN,606,BLACK ONYX | 1.14 |
| CW606SA1-351 | ASSY,FRAME,MAIN,606,LT. BRONZE | 1.15 |
| CW606SA1-361 | ASSY,FRAME,MAIN,606,SAPPHIRE BL | 1.16 |
| CW606SA2-211 | ASSY,ARM,UPPER PIVOT,606,SKY WHITE | 2.01 |
| CW606SA2-221 | ASSY,ARM,UPPER PIVOT,606,BLACK | 2.02 |
| CW606SA2-231 | ASSY,ARM,UPPER PIVOT,606,RED | 2.03 |
| CW606SA2-241 | ASSY,ARM,UPPER PIVOT,606,PLAT SPKLE | 2.04 |
| CW606SA2-251 | ASSY,ARM,UPPER PIVOT,606,SILVER | 2.05 |
| CW606SA2-261 | ASSY,ARM,UPPER PIVOT,606,BLUE | 2.06 |
| CW606SA2-271 | ASSY,ARM,UPPER PIVOT,606,CHARCOAL | 2.07 |
| CW606SA2-281 | ASSY,ARM,UPPER PIVOT,606,CATH GRY | 2.08 |
| CW606SA2-291 | ASSY,ARM,UPPER PIVOT,606,SILVER VIE | 2.09 |
| CW606SA2-311 | ASSY,ARM,UPPER PIVOT,606,STONE HG | 2.11 |
| CW606SA2-321 | ASSY,ARM,UPPER PIVOT,606,TITANIUM H | 2.12 |
| CW606SA2-331 | ASSY,ARM,UPPER PIVOT,606,WHITE GLOS | 2.13 |
| CW606SA2-341 | ASSY,ARM,UPPER PIVOT,606,BLACK ONYX | 2.14 |
| CW606SA2-351 | ASSY,ARM,UPPER PIVOT,606,LIGHT BRON | 2.15 |
| CW606SA2-361 | ASSY,ARM,UPPER PIVOT,606,SAPPHIRE B | 2.16 |
| CW606SA3-211 | ASSY,ARM,LOWER PIVOT,606,SKY WHITE | 3.01 |
| CW606SA3-221 | ASSY,ARM,LOWER PIVOT,606,BLACK | 3.02 |
| CW606SA3-231 | ASSY,ARM,LOWER PIVOT,606,RED | 3.03 |
| CW606SA3-241 | ASSY,ARM,LOWER PIVOT,606,PLAT SPKLE | 3.04 |
| CW606SA3-251 | ASSY,ARM,LOWER PIVOT,606,SILVER | 3.05 |
| CW606SA3-261 | ASSY,ARM,LOWER PIVOT,606,BLUE | 3.06 |
| CW606SA3-271 | ASSY,ARM,LOWER PIVOT,606,CHARCOAL | 3.07 |
| CW606SA3-281 | ASSY,ARM,LOWER PIVOT,606,CATH GRY | 3.08 |
| CW606SA3-291 | ASSY,ARM,LOWER PIVOT,606,SILVER VIE | 3.09 |
| CW606SA3-311 | ASSY,ARM,LOWER PIVOT,606,STONE HG | 3.11 |
| CW606SA3-321 | ASSY,ARM,LOWER PIVOT,606,TITANIUM H | 3.12 |
| CW606SA3-331 | ASSY,ARM,LOWER PIVOT,606,WHITE GLOS | 3.13 |
| CW606SA3-341 | ASSY,ARM,LOWER PIVOT,606,BLACK ONYX | 3.14 |
| CW606SA3-351 | ASSY,ARM,LOWER PIVOT,606,LIGHT BRON | 3.15 |
| CW606SA3-361 | ASSY,ARM,LOWER PIVOT,606,SAPPHIRE B | 3.16 |
| CW606SA4-211 | ASSY,CAM,606,SKY WHITE | 4.01 |
| CW606SA4-221 | ASSY,CAM,606,BLACK | 4.02 |
| CW606SA4-231 | ASSY,CAM,606,RED | 4.03 |
| CW606SA4-241 | ASSY,CAM,606,PLATINUM SPRKLE | 4.04 |

| | | |
|---------------|-------------------------------------|-------|
| CW606SA4-251 | ASSY,CAM,606,SILVER | 4.05 |
| CW606SA4-261 | ASSY,CAM,606,BLUE | 4.06 |
| CW606SA4-271 | ASSY,CAM,606,CHARCOAL | 4.07 |
| CW606SA4-281 | ASSY,CAM,606,CATHEDRAL GRAY | 4.08 |
| CW606SA4-291 | ASSY,CAM,606,SILVER VEIN | 4.09 |
| CW606SA4-311 | ASSY,CAM,606,STONE HG | 4.11 |
| CW606SA4-321 | ASSY,CAM,606,TITANIUM HG | 4.12 |
| CW606SA4-331 | ASSY,CAM,606,WHITE GLOSS | 4.13 |
| CW606SA4-341 | ASSY,CAM,606,BLACK ONYX | 4.14 |
| CW606SA4-351 | ASSY,CAM,606,LIGHT BRONZE | 4.15 |
| CW606SA4-361 | ASSY,CAM,606,SAPPHIRE BLUE | 4.16 |
| CWAC1009-101 | PULLEY, 4 1/2 DIA. X 1/2 ID | 8 |
| CW10043-134 | BUSHING, BRONZE, 1" ID X 1 1/4" OD | 9 |
| CW10043-135 | BUSHING, BRONZE, 1 1/4" ID X 1 1/2" | 10 |
| CW12405-101 | PILLOW BLOCK, BEARING, FLANGE, 4 BO | 11 |
| CW12404-101 | CAP, GUIDE ROD,DIA 3/4, BLK | 12 |
| CW30165-751 | ASSY, POP PIN, 0.450 DIA HANDLE, B | 13 |
| CW11311-102 | ENDCAP, REC TUBE, 2X4, BLK PLASTIC | 14 |
| CW12402-101 | BUMPER, WEIGHT STACK, BLK RUBBER | 15 |
| CWGR2610-250 | GRIP,RUBBER, 1" DIA, 10-1/4" | 19 |
| CWAC1228-901 | SPACER, ALU,.328 ID X .625 OD X .25 | 20 |
| CWAC218-901 | HANDLE END CAP W/SET SCREWS, DIA 1" | 23 |
| CWAC221-901 | SHAFT END CAP W/SET SCREWS, DIA 1 1 | 24 |
| CWAC222-901 | ASSY, SHAFT END CAP W/SET SCREWS, D | 25 |
| CWPF1212-711 | GUIDE ROD, 3/4 X 42 5/8 (#4), CHM | 26 |
| CWCP8106-000 | CP, ABS CHANNEL, 1/8 X 2 X 4 X 6 | 27 |
| CWGR2603-500 | GRIP,RUBBER,1" DIA X 3 1/2" | 28 |
| CWCLGH071-875 | ASSY, CABLE, 606 | 29 |
| CWPD1104A-101 | PAD,9X24,4HOLES,BLACK | 30.01 |
| CWPD1104A-102 | PAD,9X24,4HOLES,RYL BL | 30.02 |
| CWPD1104A-103 | PAD,9X24,4HOLES,DVE GRY | 30.03 |
| CWPD1104A-104 | PAD,9X24,4HOLES,CROCUS | 30.04 |
| CWPD1104A-105 | PAD,9X24,4HOLES,GROTTO | 30.05 |
| CWPD1104A-106 | PAD,9X24,4HOLES,GRAPHITE | 30.06 |
| CWPD1104A-107 | PAD,9X24,4HOLES,RED | 30.07 |
| CWPD1104A-108 | PAD,9X24,4HOLES,CHN GRN | 30.08 |
| CWPD1104A-109 | PAD,9X24,4HOLES,TURQSE | 30.09 |
| CWPD1104A-110 | PAD,9X24,4HOLES,RASP | 30.1 |
| CWPD1104A-111 | PAD,9X24,4HOLES,PLUM | 30.11 |
| CWPD1104A-112 | PAD,9X24,4HOLES,REGIMENT | 30.12 |
| CWPD1104A-113 | PAD,9X24,4HOLES,SPC BLUE | 30.13 |
| CWPD1104A-115 | PAD,9X24,4HOLES,BLK LTHR | 30.15 |
| CWPD1104A-116 | PAD,9X24,4HOLES,NVBL LTH | 30.16 |
| CWPD1104A-117 | PAD,9X24,4HOLES,PUTTY | 30.17 |
| CWPD1104A-118 | PAD,9X24,4HOLES,IMPRL BLUE | 30.18 |
| CWPD1104A-119 | PAD,9X24,4HOLES,YEW GREEN | 30.19 |
| CWPD1104A-120 | PAD,9X24,4HOLES,DUSTY JADE | 30.2 |
| CWPD1104A-121 | PAD,9X24,4HOLES,TERRA COTTA | 30.21 |
| CWPD1104A-122 | PAD,9X24,4HOLES,PAPRIKA | 30.22 |
| CWPD1104A-123 | PAD,9X24,4HOLES,ASH LTHR | 30.23 |
| CWPD1104A-124 | PAD,9X24,4HOLES,CERULEAN LTHR | 30.24 |

| | | |
|---------------|-------------------------------------|-------|
| CWPD1104A-125 | PAD,9X24,4HOLES,CHARCOAL LTHR | 30.25 |
| CWPD1104A-126 | PAD,9X24,4HOLES,HUNTER LTHR | 30.26 |
| CWPD1104A-127 | PAD,9X24,4HOLES,MOSS LTHR | 30.27 |
| CWPD1104A-128 | PAD,9X24,4HOLES,SPICE LTHR | 30.28 |
| CWPD1104A-129 | PAD,9X24,4HOLES,TOMATO LTHR | 30.29 |
| CWPD1137B-101 | PAD,12X18,4HOLES,W/BP,BLACK | 31.01 |
| CWPD1137B-102 | PAD,12X18,4HOLES,W/BP,RYL BL | 31.02 |
| CWPD1137B-103 | PAD,12X18,4HOLES,W/BP,DVE GRY | 31.03 |
| CWPD1137B-104 | PAD,12X18,4HOLES,W/BP,CROCUS | 31.04 |
| CWPD1137B-105 | PAD,12X18,4HOLES,W/BP,GROTTO | 31.05 |
| CWPD1137B-106 | PAD,12X18,4HOLES,W/BP,GRAPHITE | 31.06 |
| CWPD1137B-107 | PAD,12X18,4HOLES,W/BP,RED | 31.07 |
| CWPD1137B-108 | PAD,12X18,4HOLES,W/BP,CHN GRN | 31.08 |
| CWPD1137B-109 | PAD,12X18,4HOLES,W/BP,TURQSE | 31.09 |
| CWPD1137B-110 | PAD,12X18,4HOLES,W/BP,RASP | 31.1 |
| CWPD1137B-111 | PAD,12X18,4HOLES,W/BP,PLUM | 31.11 |
| CWPD1137B-112 | PAD,12X18,4HOLES,W/BP,REGIMENT | 31.12 |
| CWPD1137B-113 | PAD,12X18,4HOLES,W/BP,SPC BLUE | 31.13 |
| CWPD1137B-115 | PAD,12X18,4HOLES,W/BP,BLK LTHR | 31.15 |
| CWPD1137B-116 | PAD,12X18,4HOLES,W/BP,NVBL LTH | 31.16 |
| CWPD1137B-117 | PAD,12X18,4HOLES,W/BP,PUTTY | 31.17 |
| CWPD1137B-118 | PAD,12X18,4HOLES,W/BP,IMPRL BL | 31.18 |
| CWPD1137B-119 | PAD,12X18,4HOLES,W/BP,YEW GRN | 31.19 |
| CWPD1137B-120 | PAD,12X18,4HOLES,W/BP,DSTY JD | 31.2 |
| CWPD1137B-121 | PAD,12X18,4HOLES,W/BP,TER COT | 31.21 |
| CWPD1137B-122 | PAD,12X18,4HOLES,W/BP,PAPRIKA | 31.22 |
| CWPD1137B-123 | PAD,12X18,4HOLES,W/BP,ASH LTHR | 31.23 |
| CWPD1137B-124 | PAD,12X18,4HOLES,W/BP,CERULEAN LTHR | 31.24 |
| CWPD1137B-125 | PAD,12X18,4HOLES,W/BP,CHARCOAL LTHR | 31.25 |
| CWPD1137B-126 | PAD,12X18,4HOLES,W/BP,HUNTER LTHR | 31.26 |
| CWPD1137B-127 | PAD,12X18,4HOLES,W/BP,MOSS LTHR | 31.27 |
| CWPD1137B-128 | PAD,12X18,4HOLES,W/BP,SPICE LTHR | 31.28 |
| CWPD1137B-129 | PAD,12X18,4HOLES,W/BP,TOMATO LTHR | 31.29 |
| CWPD1305A-101 | PAD,7.5X12X21.06,4HLS,BLACK | 32.01 |
| CWPD1305A-102 | PAD,7.5X12X21.06,4HLS,RYL BL | 32.02 |
| CWPD1305A-103 | PAD,7.5X12X21.06,4HLS,DV GRY | 32.03 |
| CWPD1305A-104 | PAD,7.5X12X21.06,4HLS,CROCUS | 32.04 |
| CWPD1305A-105 | PAD,7.5X12X21.06,4HLS,GROTTO | 32.05 |
| CWPD1305A-106 | PAD,7.5X12X21.06,4HLS,GRPHTE | 32.06 |
| CWPD1305A-107 | PAD,7.5X12X21.06,4HLS,RED | 32.07 |
| CWPD1305A-108 | PAD,7.5X12X21.06,4HLS,CH GRN | 32.08 |
| CWPD1305A-109 | PAD,7.5X12X21.06,4HLS,TURQSE | 32.09 |
| CWPD1305A-110 | PAD,7.5X12X21.06,4HLS,RASP | 32.1 |
| CWPD1305A-111 | PAD,7.5X12X21.06,4HLS,PLUM | 32.11 |
| CWPD1305A-112 | PAD,7.5X12X21.06,4HLS,REGMNT | 32.12 |
| CWPD1305A-113 | PAD,7.5X12X21.06,4HLS,SP BLUE | 32.13 |
| CWPD1305A-115 | PAD,7.5X12X21.06,4HLS,BLK LTH | 32.15 |
| CWPD1305A-116 | PAD,7.5X12X21.06,4HLS,NB LTH | 32.16 |
| CWPD1305A-117 | PAD,7.5X12X21.06,4HLS,PUTTY | 32.17 |
| CWPD1305A-118 | PAD,7.5X12X21.06,4HLS,IMPRL BL | 32.18 |
| CWPD1305A-119 | PAD,7.5X12X21.06,4HLS,YEW GRN | 32.19 |

| | | |
|----------------|-------------------------------------|-------|
| CWPD1305A-120 | PAD,7.5X12X21.06,4HLS,DSTY JD | 32.2 |
| CWPD1305A-121 | PAD,7.5X12X21.06,4HLS,TER COT | 32.21 |
| CWPD1305A-122 | PAD,7.5X12X21.06,4HLS,PAPRIKA | 32.22 |
| CWPD1305A-123 | PAD,7.5X12X21.06,4HLS,ASH LTHR | 32.23 |
| CWPD1305A-124 | PAD,7.5X12X21.06,4HLS,CERULEAN LTHR | 32.24 |
| CWPD1305A-125 | PAD,7.5X12X21.06,4HLS,CHARCOAL LTHR | 32.25 |
| CWPD1305A-126 | PAD,7.5X12X21.06,4HLS,HUNTER LTHR | 32.26 |
| CWPD1305A-127 | PAD,7.5X12X21.06,4HLS,MOSS LTHR | 32.27 |
| CWPD1305A-128 | PAD,7.5X12X21.06,4HLS,SPICE LTHR | 32.28 |
| CWPD1305A-129 | PAD,7.5X12X21.06,4HLS,TOMATO LTHR | 32.29 |
| CWPD1402A-101 | PAD,5.625ODX1.5IDX20,BLACK | 33.01 |
| CWPD1402A-102 | PAD,5.625ODX1.5IDX20,RYL BL | 33.02 |
| CWPD1402A-103 | PAD,5.625ODX1.5IDX20,DV GRY | 33.03 |
| CWPD1402A-104 | PAD,5.625ODX1.5IDX20,CROCUS | 33.04 |
| CWPD1402A-105 | PAD,5.625ODX1.5IDX20,GROTTO | 33.05 |
| CWPD1402A-106 | PAD,5.625ODX1.5IDX20,GRPHTE | 33.06 |
| CWPD1402A-107 | PAD,5.625ODX1.5IDX20,RED | 33.07 |
| CWPD1402A-108 | PAD,5.625ODX1.5IDX20,CH GRN | 33.08 |
| CWPD1402A-109 | PAD,5.625ODX1.5IDX20,TURQSE | 33.09 |
| CWPD1402A-110 | PAD,5.625ODX1.5IDX20,RASP | 33.1 |
| CWPD1402A-111 | PAD,5.625ODX1.5IDX20,PLUM | 33.11 |
| CWPD1402A-112 | PAD,5.625ODX1.5IDX20,REGMNT | 33.12 |
| CWPD1402A-113 | PAD,5.625ODX1.5IDX20,SP BLUE | 33.13 |
| CWPD1402A-115 | PAD,5.625ODX1.5IDX20,BLK LTH | 33.15 |
| CWPD1402A-116 | PAD,5.625ODX1.5IDX20,NB LTH | 33.16 |
| CWPD1402A-117 | PAD,5.625ODX1.5IDX20,PUTTY | 33.17 |
| CWPD1402A-118 | PAD,5.625ODX1.5IDX20,IMPRL BL | 33.18 |
| CWPD1402A-119 | PAD,5.625ODX1.5IDX20,YEW GRN | 33.19 |
| CWPD1402A-120 | PAD,5.625ODX1.5IDX20,DSTY JD | 33.2 |
| CWPD1402A-121 | PAD,5.625ODX1.5IDX20,TER COT | 33.21 |
| CWPD1402A-122 | PAD,5.625ODX1.5IDX20,PAPRIKA | 33.22 |
| CWPD1402A-123 | PAD,5.625ODX1.5IDX20,ASH LTHR | 33.23 |
| CWPD1402A-124 | PAD,5.625ODX1.5IDX20,CERULEAN LTH | 33.24 |
| CWPD1402A-125 | PAD,5.625ODX1.5IDX20,CHARCOAL LTH | 33.25 |
| CWPD1402A-126 | PAD,5.625ODX1.5IDX20,HUNTER LTHR | 33.26 |
| CWPD1402A-127 | PAD,5.625ODX1.5IDX20,MOSS LTHR | 33.27 |
| CWPD1402A-128 | PAD,5.625ODX1.5IDX20,SPICE LTHR | 33.28 |
| CWPD1402A-129 | PAD,5.625ODX1.5IDX20,TOMATO LTHR | 33.29 |
| CWPF1016-731 | BAR,,FLAT CR/HR, 3/8 X 2 X 8 1/4, 3 | 34 |
| CWSA1115-721 | ASSY,RANGE LIMITER,SMALL,606, | 35 |
| CWSA1506-721 | WELDMENT, COUNTER WEIGHT, 3" THK, W | 36 |
| CW30103-200 | WEIGHT STACK,200 LBS,MTP-S,19 X 10 | 37 |
| CWHCYN044-375 | SCREW, HEX HEAD , BLK XYLA | 38 |
| CWKADLN050-081 | NUT, ACORN, 1/2-13 | 39 |
| CWKMYN044-038 | NUT, HEX, UNC, 7/16-14, BLK XYLAN | 40 |
| CW12537-109 | NUT,INSERT,THIN-NUT,LARGE FLANGE | 41 |
| CWLDNN031-200 | PIN, ROLL, DIA 5/16 X 2.00 | 42 |
| CWTAYN038-075 | SCREW, BUTTON HEAD, BLK XYLAN, 3/8 | 43 |
| CWTAYN031-100 | SCREW, BUTTON HEAD, BLK XYLAN, 5/1 | 44 |
| CWTAYN031-150 | SCREW, BUTTON HEAD, BLK XYLAN,5/16 | 45 |
| CWTAYN031-300 | SCREW, BUTTON HEAD, BLK XYLAN,5/16 | 46 |

| | | |
|----------------|-------------------------------------|--------|
| CWBFNN050-250 | STUD, 1/2-13 X 2 1/2 | 47 |
| CWWBKN031-007 | WASHER, FLAT, TYPE A, SAE, 5/16 ID | 48 |
| CWWBKN038-007 | WASHER, FLAT, TYPE A, SAE, 3/8 ID | 49 |
| CWWNKN138-016 | WASHER, FLAT, 1 3/8 ID X 3 OD, 0.15 | 50 |
| CWWALYN031-008 | WASHER, SPLIT, 5/16 ID, BL | 51 |
| CWWALYN038-009 | WASHER, SPLIT, 3/8 ID, BLK XYLAN | 52 |
| CWWALYN044-011 | WASHER, SPLIT, 7/16 ID, BLK XYLAN | 53 |
| CWWALYN050-013 | WASHER, SPLIT, 1/2 ID, BLK XYLAN | 54 |
| CW31756-101 | LABEL, PRECOR USA ICARIAN LINE | 55 |
| CW30010-101 | LABEL,WARNING STRENGTH | 56 |
| CW30147-101 | ASSY, LABEL,INSTRUCTION,606 | 57 |
| CW10510-721 | ASSY, PLATE, WEIGHT, 10 LBS, WRKL B | 201 |
| CW10520-721 | ASSY, PLATE, WEIGHT, 20 LBS, WRKL B | 202 |
| CWAC1133-101 | BUSHING, WEIGHT PLATE, LDPE PLASTIC | 203 |
| CW30172-751 | ASSY, 4.00 IN WEIGHT STACK PIN AND | 227 |
| CW30173-751 | ASSY, 6.00 IN WEIGHT STACK PIN AND | 228 |
| CWLDNN038-200 | PIN, ROLL, DIA 3/8 X 2 | 250 |
| CW30184-901 | ASSY,BARREL,TOP PLATE,ALUMINUM | 251 |
| CW10550-722 | PLATE, WEIGHT, MED TOP (MTP-S), 10 | 283 |
| CW30132-711 | SELECTOR STEM, 20 PLATE,0 .875 DIA, | 308 |
| CW30011-101 | LABEL,WARNING WEIGHT STACK | 311 |
| CW12401-106 | LABEL, WEIGHT PLATE, 20 LBS/ 8 KG | 319 |
| CW12401-110 | LABEL, WEIGHT PLATE, 30 LBS/ 13.6 K | 323 |
| CW12401-114 | LABEL, WEIGHT PLATE, 40 LBS/ 18.2 K | 327 |
| CW12401-118 | LABEL, WEIGHT PLATE, 50 LBS/ 22.7 K | 331 |
| CW12401-120 | LABEL, WEIGHT PLATE, 60 LBS/ 27.3 K | 333 |
| CW12401-122 | LABEL, WEIGHT PLATE, 70 LBS/ 31.8 K | 335 |
| CW12401-124 | LABEL, WEIGHT PLATE, 80 LBS/ 36.4 K | 337 |
| CW12401-126 | LABEL, WEIGHT PLATE, 90 LBS/ 40.9 K | 339 |
| CW12401-128 | LABEL, WEIGHT PLATE, 100 LBS/ 45.5 | 341 |
| CW12401-129 | LABEL, WEIGHT PLATE, 110 LBS/ 50 KG | 342 |
| CW12401-130 | LABEL, WEIGHT PLATE, 120 LBS/ 54.6 | 343 |
| CW12401-131 | LABEL, WEIGHT PLATE, 130 LBS/ 59.1 | 344 |
| CW12401-132 | LABEL, WEIGHT PLATE, 140 LBS/ 63.6 | 345 |
| CW12401-133 | LABEL, WEIGHT PLATE, 150 LBS/ 68.2 | 346 |
| CW12401-134 | LABEL, WEIGHT PLATE, 160 LBS/ 72.7 | 347 |
| CW12401-135 | LABEL, WEIGHT PLATE, 170 LBS/ 77.3 | 348 |
| CW12401-136 | LABEL, WEIGHT PLATE, 180 LBS/ 81.8 | 349 |
| CW12401-137 | LABEL, WEIGHT PLATE, 190 LBS/ 86.4 | 350 |
| CW12401-138 | LABEL, WEIGHT PLATE, 200 LBS/ 90.9 | 351 |
| CW12401-139 | LABEL, WEIGHT PLATE, 210 LBS/ 95.5 | 352 |
| CW12401-141 | LABEL, WEIGHT PLATE, 230 LBS/ 104.6 | 354 |
| CW12401-143 | LABEL, WEIGHT PLATE, 250 LBS/ 113.6 | 356 |
| CW12537-109 | NUT,INSERT,THIN-NUT,LARGE FLANGE | 400 |
| CW30126-101 | LABEL,VINYL, PRECOR, 3.25 X 18.0 | 401 |
| CWPF3143-211 | SHROUD,SHEET,STEEL,3/32 THICK,4 BEN | 402.01 |
| CWPF3143-221 | SHROUD,SHEET,STEEL,3/32 THICK,4 BEN | 402.02 |
| CWPF3143-231 | SHROUD,SHEET,STEEL,3/32 THICK,4 BEN | 402.03 |
| CWPF3143-241 | SHROUD,SHEET,STEEL,3/32 THICK,4 BEN | 402.04 |
| CWPF3143-251 | SHROUD,SHEET,STEEL,3/32 THICK,4 BEN | 402.05 |
| CWPF3143-261 | SHROUD,SHEET,STEEL,3/32 THICK,4 BEN | 402.06 |

| | | |
|----------------|-------------------------------------|--------|
| CWPF3143-271 | SHROUD,SHEET,STEEL,3/32 THICK,4 BEN | 402.07 |
| CWPF3143-281 | SHROUD,SHEET,STEEL,3/32 THICK,4 BEN | 402.08 |
| CWPF3143-291 | SHROUD,SHEET,STEEL,3/32 THICK,4 BEN | 402.09 |
| CWPF3143-311 | SHROUD,SHEET,STEEL,3/32 THICK,4 BEN | 402.11 |
| CWPF3143-321 | SHROUD,SHEET,STEEL,3/32 THICK,4 BEN | 402.12 |
| CWPF3143-331 | SHROUD,SHEET,STEEL,3/32 THICK,4 BEN | 402.13 |
| CWPF3143-341 | SHROUD,SHEET,STEEL,3/32 THICK,4 BEN | 402.14 |
| CWPF3143-351 | SHROUD,SHEET,STEEL,3/32 THICK,4 BEN | 402.15 |
| CWPF3143-361 | SHROUD,SHEET,STEEL,3/32 THICK,4 BEN | 402.16 |
| CWPF3143-711 | SHROUD,SHEET,STEEL,3/32 THICK,4 BEN | 402.17 |
| CWPF3144-721 | SHROUD BRKT,PLATE,STEEL,1/8 THICK,1 | 403 |
| CWPF3145-721 | SHROUD BRKT,PLATE,STEEL,1/8 THICK,2 | 404 |
| CWTAYN031-100 | SCREW, BUTTON HEAD, BLK XYLAN, 5/1 | 405 |
| CWWALYN031-008 | WASHER, SPLIT, 5/16 ID, BL | 406 |
| CWWBKN031-007 | WASHER, FLAT, TYPE A, SAE, 5/16 ID | 407 |
| CWAC1177-101 | FLOOR PROTECTOR, RUBBER, 4.563 X 4. | 501 |
| CWAC1178-101 | FLOOR PROTECTOR, RUBBER, 2.563 X 6. | 502 |